

# Overview On European Environmental Regulatory Issues For Consumer Electronics

NEMI RoHS/Pb-Free Summit  
October 18-20, 2004

**Joe Johnson**  
**Environmental Regulatory Compliance Manager**  
**Microsoft Home & Entertainment Division**  
**(425) 707-4364**  
**joejohn@microsoft.com**

*Microsoft*

# Overview

- ◆ Lobbying In Europe: EICTA & AEA Europe
- ◆ Priority Issues of the EICTA EPC
- ◆ Confluence of WEEE & RoHS Requirements
- ◆ Open Questions
- ◆ Summary/Discussion

# EICTA Environmental Policy Group (EPG)

## ◆ EICTA: European Industry Association

- ❖ Information Systems, Communication Technologies, Consumer Electronics
- ❖ Members: Major European, US & Asian OEMs (HP, IBM, Lucent, LG, Epson, Nokia, Cisco, Apple, Sony, Motorola, etc.) + Member State technology/recycling organizations

## ◆ EPG Issue Groups (IGs) & Objectives

- ❖ Waste IG:
  - Ensure rules on waste management are applied in harmonized manner in the EU, leaving flexibility on WEEE take-back and recycling schemes
- ❖ Chemicals IG
  - Provide expertise for smooth implementation and enforcement of RoHS Directive; balance REACH burden between producers and downstream users
- ❖ Eco-design IG
  - Ensure eco-design requirements based on harmonized approach, allowing voluntary industry measures, without unnecessary financial burden
  - EUP: Energy using Products Directive (expected 2006)

# AEA Europe EHS Working Group

## ◆ American Electronics Association of Europe

- ◆ Members: Major US-based OEMs (HP, Sun, Agilent, Intel, Motorola, GE, Dell, etc) plus technical organizations from Member States

## ◆ EHS: Environmental Health & Safety

- ◆ Similar focus on WEEE, RoHS, EuP with shared interests of US-based companies

# Confluence Of WEEE & RoHS Compliance

## Documents on WEEE/RoHS transposition & Information for WEEE recyclers

### Transposition of WEEE & RoHS Directives in the Member States

#### Progress Report D21 September 2004

Country	Date of Transposition	Details
Austria		A draft law to amend the Waste Management Law (AWG) entered the consultation process on 26 July 2004 (ends 20/9/04). This will partially transpose the EU WEEE Directive. There will also be a new Ordinance on Waste Treatment Obligations (currently in draft form) and a new Electro Ordinance which will enter the consultation process on 20 September.
Belgium		<b>Flanders</b> The VLAREA Ordinance was amended in December 2003 and a new ordinance to clarify certain issues was approved by the Flemish Regional Government on 14 July 2004 and will enter into force months after its publication in the official gazette <b>Wallonia</b> - Two draft measures, an amendment of the Producer Responsibility Decree which will transpose the provisions relating to producers, and a new decree transposing the provisions on collection treatment facilities passed the Environment Committee and the Conseil d'Etat during the summer, and required amendments are being incorporated. The ministry hopes to obtain the government's final approval by mid-September after the second reading of the two drafts. <b>Brussels Region</b> - An amendment to the existing Producer Responsibility Decree was promulgated on 3 June 2004 and published in the Official Gazette on 28 July. A second decree covering collection treatment facilities was approved on the same day but yet been published.
Spain		Draft Regulation under review by the Attorney General.
Czech Republic		An amendment of the 2001 Waste Act will set the regulatory framework and a Ministerial WEEE Decree will regulate the implementation of the WEEE Directive. The Council approved the text of the draft amendment to the Waste Act with some revisions, on 2 June 2004. The draft now awaits its second and third reading in the Parliament's House of Commons in September/October, after which it will be translated. For approvals by the Senate, the Prime Minister and the President, the amendment is expected to enter into force in early 2005.  In July and August 2004, the Ministry of Environment conducted workshops and discussions with stakeholders. A working draft of the Decree will be prepared based on these discussions. The decree can only be finalised after Parliament has approved the amendment to the Waste Act.
Germany		A revised draft of an amended Environment Act will go to Parliament this autumn, so legislation will not be adopted until end of 2004.



#### DRAFT

#### Information to EERA recyclers

##### Introduction

This document can be used by producers/manufacturers of electronic and electrical equipment in order to fulfil their obligation to provide information to WEEE treatment facilities as defined in Article 11.1 of the EC Directive on Waste Electrical and Electronic Equipment (WEEE) 2002/96/EC of 27 January 2003. The EERA members invite producers to use the data sheets for the exchange of information with the EERA member company.

##### Guideline

Please take notice of the following remarks before completing the data sheets:

- One of the data required is the WEEE product category. Reference is made to the categories of E&E equipment covered by the WEEE Directive in Annex 1A + 1B:
  - Large household appliances
  - Small household appliances
  - IT and telecommunications
  - Consumer equipment
  - Lighting equipment
  - Electrical and electronic tools
  - Toys, leisure and sports equipment
  - Medical devices
  - Monitoring and control instruments
  - Automatic dispensers

It is assumed that the producer/manufacture knows in which category the product belongs. In case this is not known please contact one of the EERA members for help.

- The required information on product range refers to the range of products that is produced by your company. For example: TVs, printers, refrigerators, fluorescent lamps, drills, radiotherapy equipment, etc.
- Please use the column location to point out where the hazardous component/part/material can be found. For example: in the compressor, in the switch, in the power supply, etc.
- Hazardous substances are those that are defined in the EU Commission Decision of 16 January 2001 (2001/118/EC).
- At the bottom of the data sheets there is room for making remarks. Information that which is of interest to provide is for instance: The producer/manufacture abandoned the use of capacitors containing PCBs abandoned since 19xx, or the use of brominated flame retardants since 19xx, etc.

# Confluence Of WEEE & RoHS Compliance

## ◆ WEEE: August 13, 2005

- ◆ Financial compliance: Historical costs & future guarantees
- ◆ Regional compliance: Register/track/pay in 25 Member States
- ◆ Product compliance: Marking & information for recyclers

## ◆ RoHS: July 1, 2006

- ◆ Compliant materials
- ◆ Compliance documentation

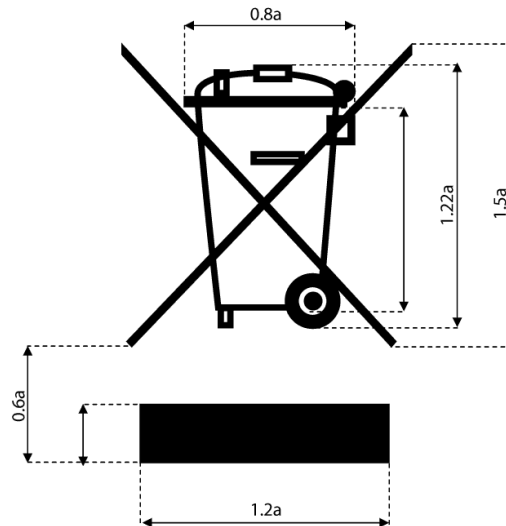
## ◆ Managing both transitions to minimize costs

- ◆ Potential SKU changes & EU inventory turns
- ◆ Ideal: RoHS compliant manufacturing by August 2005

# Confluence Of WEEE & RoHS Compliance

## ◆ WEEE Mark: August 13, 2005

- ❖ Three aspects
  - Crossed-out wheelie bin
  - Producer identification
  - August 13, 2005 timing mark
- ❖ Final Cenelec standard expected Nov 04



# WEEE/RoHS: Open Questions

- ◆ When is a product “placed on the market” in the EU?
  - ◆ Varied interpretations; can impact EU inventory management
- ◆ What is a “homogenous material”?
  - ◆ EICTA to suggest alternative definition
- ◆ How will compliance with RoHS MCVs be measured?
  - ◆ IEC RoHS test standard expected ~2006
  - ◆ Exemptions?
- ◆ What compliance documentation will be required, for which Member States?
  - ◆ UK guidance: “Requirements for technical documentation”
- ◆ Who is the WEEE “producer”?
  - ◆ Who is the responsible party?

# WEEE/RoHS: Open Questions

- ◆ RoHS Article 95 vs. WEEE Article 175 distinction?
  - ◆ Member states enacting jointly?
  
- ◆ How to comply if regulations not finalized?
  - ◆ German WEEE registration date: May 2005
  
- ◆ Will customers accept non-compliant WEEE/RoHS products up until regulatory dates?
  - ◆ Potential for returns?
  
- ◆ Waste classification under WEEE?
  - ◆ Amber vs. green: Restrictions & documentation requirements

# Sources of Information

- ◆ UK Department of Trade & Industry (DTI)
  - ❖ Draft guidance & references on WEEE/RoHS; TAC meeting notes
  - ❖ <http://www.dti.gov.uk/sustainability/weee/index.htm>
  
- ◆ NEMI 2004 Roadmap
  - ❖ Environmentally Conscious Electronics Chapter
  
- ◆ European Union Online
  - ❖ <http://europa.eu.int/>

# Summary

- ◆ European Industry Groups Actively Engaged On WEEE/RoHS/EuP
- ◆ WEEE/RoHS Transition Period Deserves Special Consideration
- ◆ Managing Requirements Jointly May Provide Opportunities To Reduce Costs